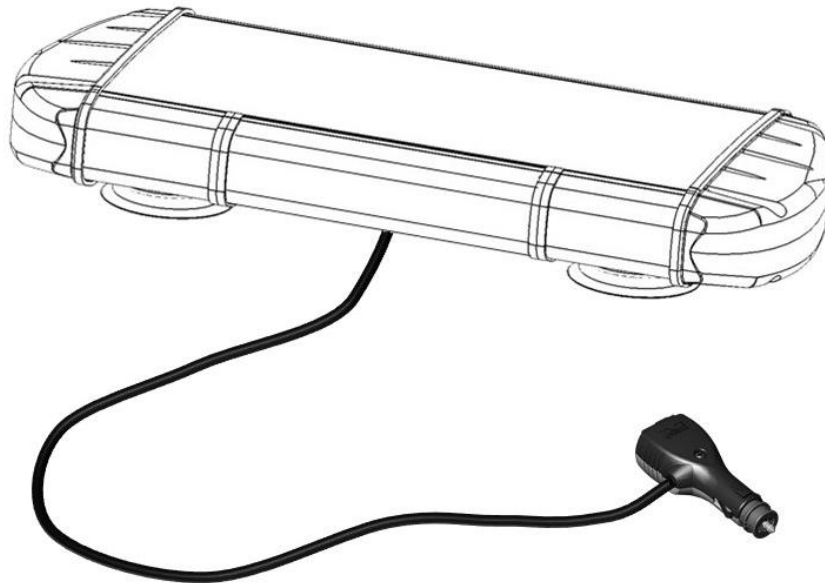


MINI-VEGA LIGHTBAR

(References: 29262 / 29264)



SOMMAIRE

SAFETY INSTRUCTIONS	2
1. DESCRIPTION.....	3
2. DIMENSIONS & WEIGHT	4
3. ELECTRICAL CHARACTERISTICS.....	4
4. MOUNTING INSTRUCTIONS	4
5. OPERATING INSTRUCTIONS	5



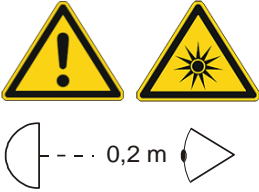




WARNING CONCERNING MOUNTING OF STANDBY-MERCURA MATERIAL

The installer is fully responsible for the mounting of equipment on a vehicle.

The installer must define the means and the material necessary for mounting of equipment in order to deliver the vehicle equipped according to the regulations.

MERCURA is not responsible for failures occurring due to incorrect definition of the type of mounting system, reinforcements, drilling holes in roof panel, state and quality of mounting system, use of vehicle manufacturer anchoring points and the system power supply and protection definition in accordance with the vehicle's energy source

SAFETY INSTRUCTIONS

	<p>OPTICAL RADIATION WARNING All optical components are classified as low risk according to DIN EN 62471. Never stare at the lights while it is in operation to avoid any risk of eye damage due to prolonged exposure of the retina to light beams. A minimum distance of 20 centimeters between the eye and the beam must be maintained.</p>
	<p>The installation of the lightbar on the vehicle must be carried out in compliance with the regulations in force concerning special lights for intervention and service vehicles in the countries in which it is used. The choice of the operating mode of the light must also meet these requirements. The installer is therefore solely responsible for the installation of the product.</p>
	<p>Handle the lightbar with the usual precautions. Wearing gloves is recommended to avoid any risk of cuts and scratches on the hands during installation.</p>
	<p>Do not handle the lightbar immediately after use as the aluminium base may still be hot. There is a risk of burning your hands.</p>
	<p>It is imperative that the cable be routed from the ramp to the interior of the vehicle by the shortest route. It is imperative to check the magnetic characteristics of the roof beforehand.</p>

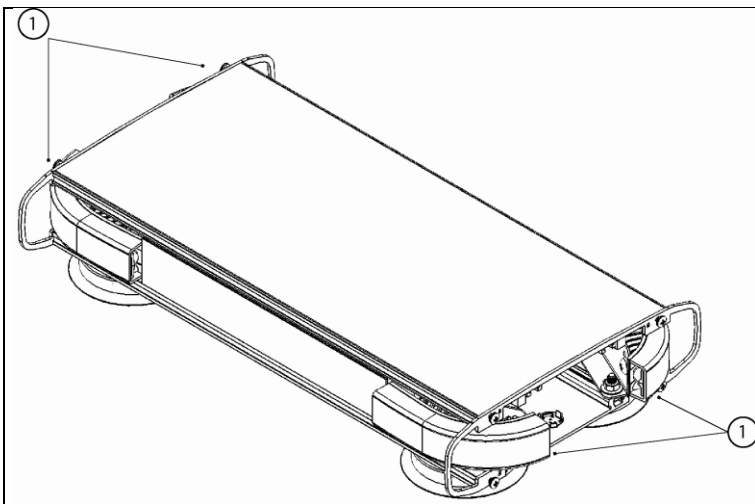
1. DESCRIPTION

The references of 2 models:

- Model 4 blue lights: 29262
- Model 4 amber lights: 29264

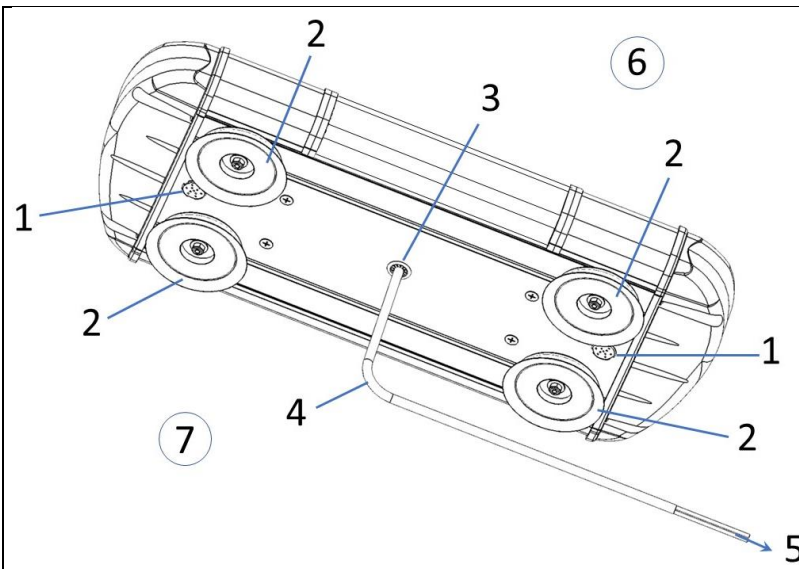
Each lightbar is equipped with 4 x corner light modules, 4 magnetic pads for easy removal from the vehicle and a 4.5m length cable with cigar lighter plug. The cable exit is placed in the centre of the lightbar base. The lightbar is perfectly symmetrical and therefore does not have a particular "front - rear" orientation.

2 operating modes are possible: CRUISE MODE and FLASH MODE.



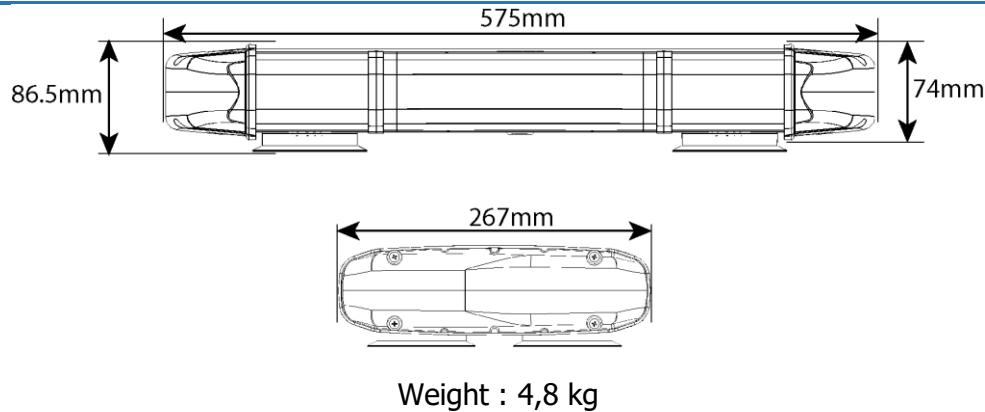
1. Corner module (*Lightbar view without the corner lenses*).

The 4 lights are identical



1. Lens vent enabling air circulation.
2. Magnetic mounting pads.
3. Cable sheath
4. Cable with cigar lighter plug.
5. Towards Cigar lighter plug.
6. Front
7. Rear

2. DIMENSIONS & WEIGHT



3. ELECTRICAL CHARACTERISTICS

OPERATING VOLTAGE: 10-30 Volt

CONSUMPTION

Flash Mode

- 6.3 A peak for 13.5 volts / 3.2 A peak for 27 volts
- 2.2 A average for 13.5 volts / 1.3 A average for 27 volts

Cruise Mode

- 2.7 A peak for 13.5 volts / 1.2 A peak for 27 volts
- 0.6 A average for 13.5 volts / 0.3 A average for 27 volts

APPROVALS

According to Regulation 65

- Blue Lightbar: TB1 E2 0015049
- Amber Lightbar: TA1 E2 00221

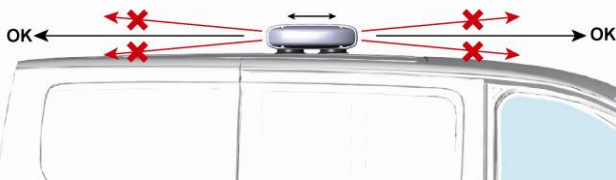
EMC according to Regulation 10 :Blue and amber lightbar: E2 10R05 15217

4. MOUNTING INSTRUCTIONS



Before mounting the MINI VEGA lightbar on the vehicle roof panel, make sure that the surface on which the magnetic pads are placed is suitable and in good condition.

The surface chosen must be flat and clean in order to optimize the magnetic contact between the roof panel and the magnetic pads. Clean the roof panel, if necessary. The roof panel must be suitable for a magnetic mount. Roof panels in polyester or derivatives are not compatible



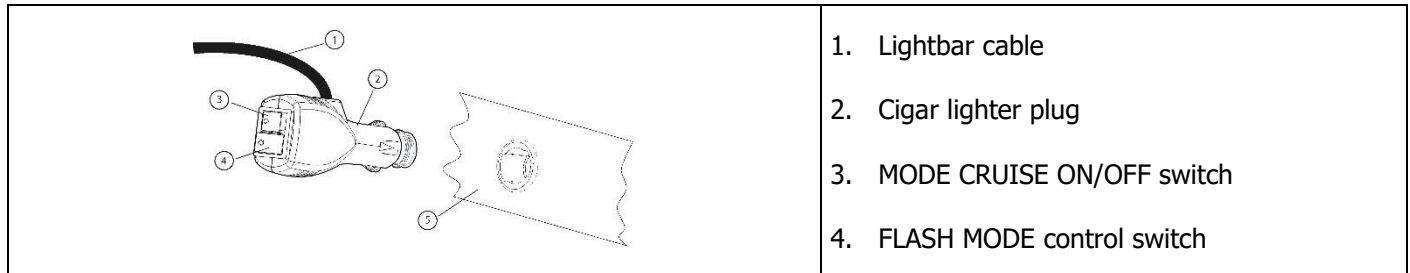
Minimise the cable distance between the lightbar and the inside of the vehicle.

5. OPERATING INSTRUCTIONS



ENSURE THAT THE CIGAR LIGHTER SOCKET IS ADAPTED TO THE LIGHTBAR'S ELECTRICAL POWER (FROM 8 TO 10 A)

Insert the cigar lighter plug in the vehicle's cigar lighter socket.



The CRUISE MODE is activated using the ON/OFF switch on the cigar lighter plug.

FLASH MODE is activated using its corresponding switch located on the cigar lighter plug.

The FLASH MODE switch control activates the lightbar lights in FLASH mode.

Once the lightbar is activated in FLASH mode, it is possible to use the CRUISE mode by pressing the "CRUISE" ON/OFF switch. Another press stops the "CRUISE" mode.

	<div style="text-align: center;"> DANGER </div> <p>DO NOT EXCEED 150 KM/H MAXIMUM SPEED WITH THE MAGNET PADS LIGHTBAR INSTALLED ON THE VEHICLE ROOF.</p> <p>BEYOND THIS SPEED LIMIT, WE CANNOT GUARANTEE THE LIGHTBAR'S ADHERENCE TO THE VEHICLE ROOF.</p>
--	---