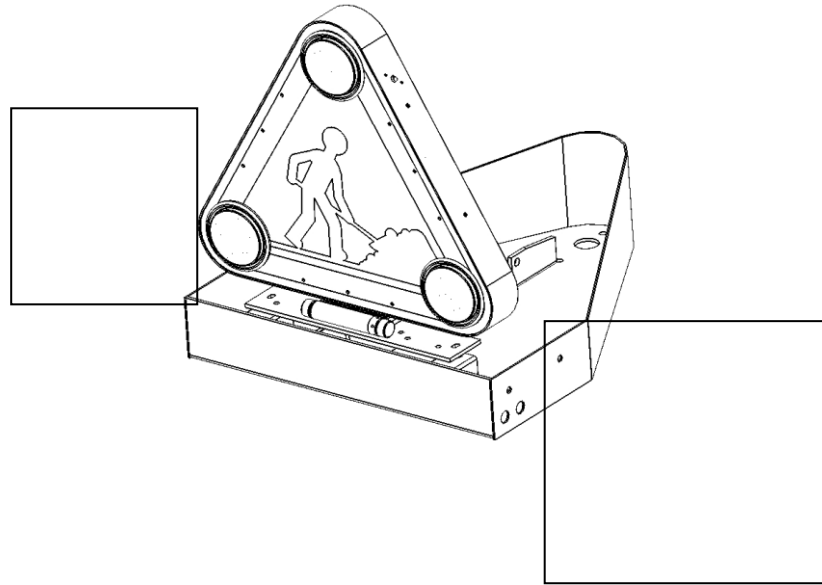




Technical Guide Triangle 500 & 700 Manual or Electric Lifting



CONTENTS

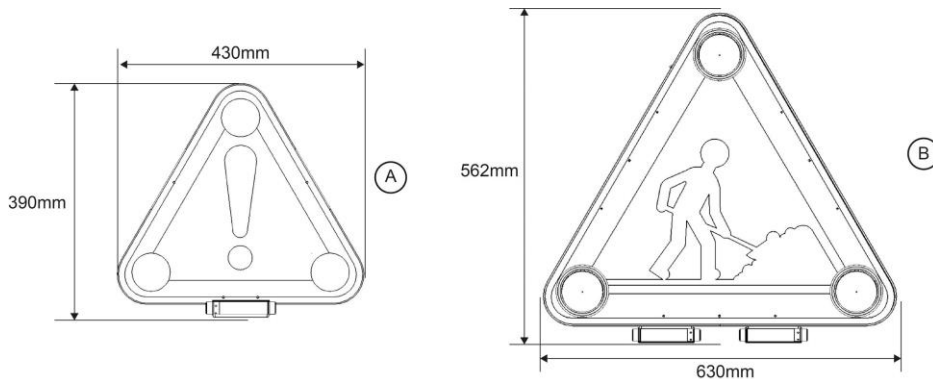
1. PRESENTATION	2
2. FEATURES	2
3. INSTALLATION	7
4. MANUAL CONTROL	9

1. PRESENTATION

Single or double-sided triangles with symbols AK5 (road works) or AK14 (exclamation point) class A, B or BP. These Triangles with or without lifting can be equipped or not with a light sensor.

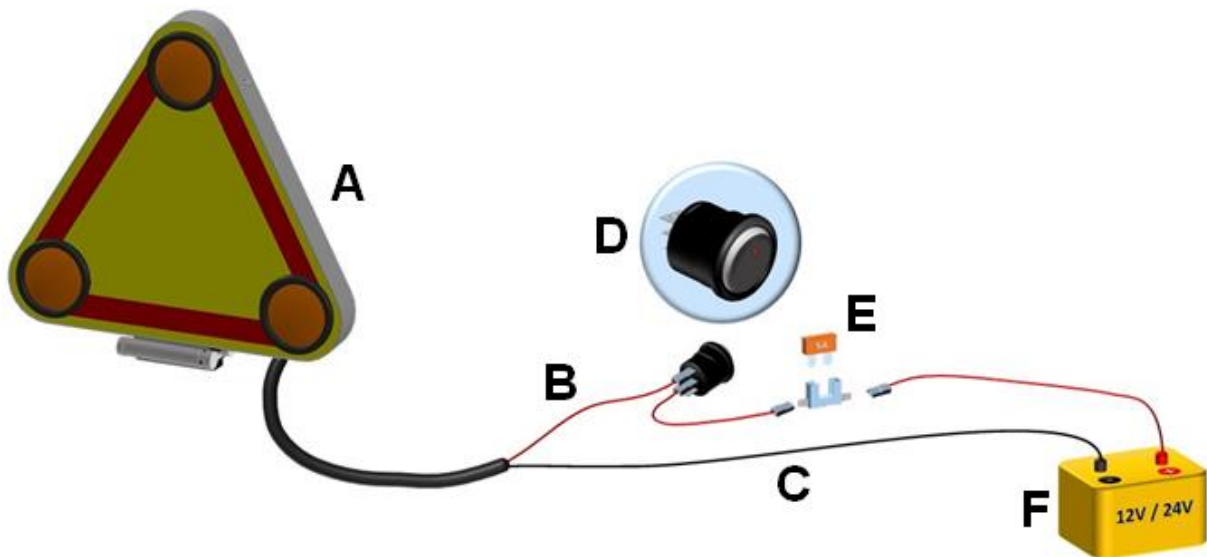
2. FEATURES

2.1. MANUAL LIFT TRIANGLE



- A. TRIANGLE 500 Weight 4.2 kg
- B. TRIANGLE 700 Weight 6.3 kg

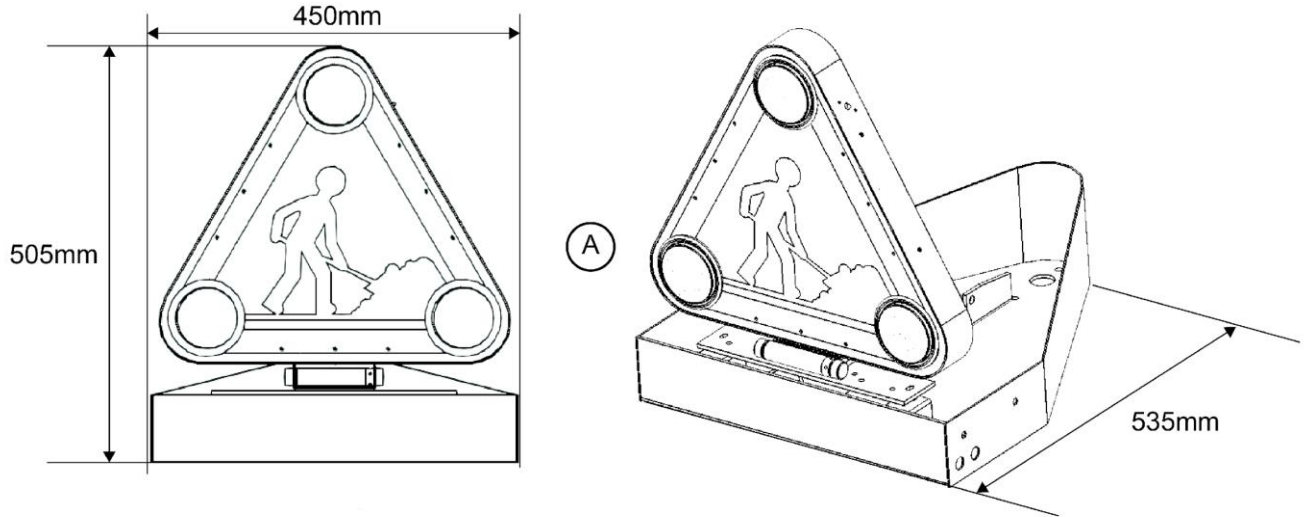
2.2. WIRING OR FIXED TRIANGLE MANUAL LIFT



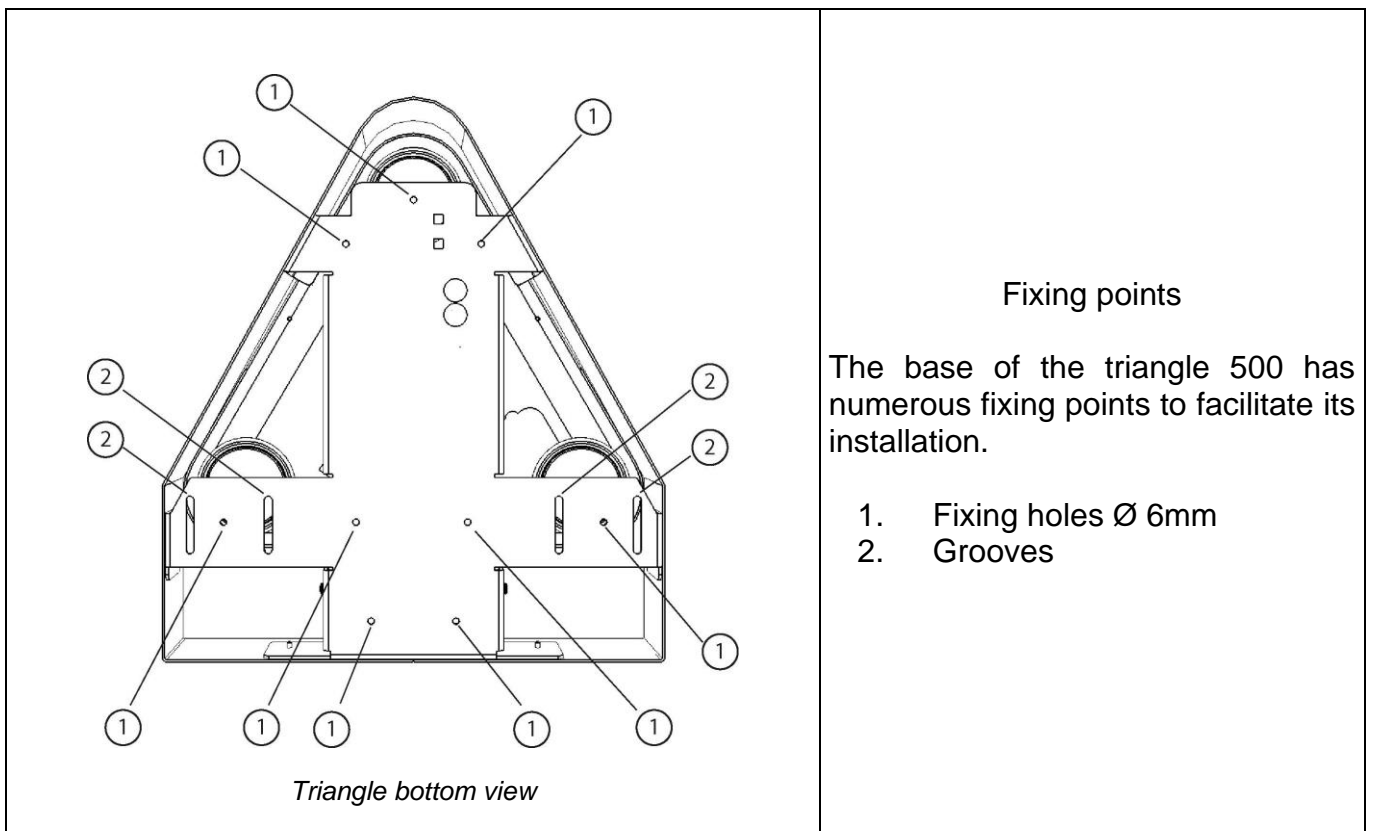
- A. TRIANGLE
- B. RED WIRE
- C. BLACK WIRE
- D. ROCKER SWITCH
- E. FUSE HOLDER & FUSE 5A
- F. VEHICLE'S BATTERY

2.3. ELECTRICLIFT TRIANGLE

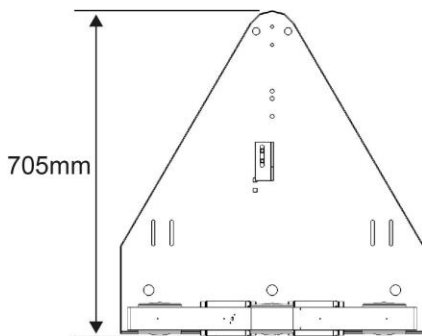
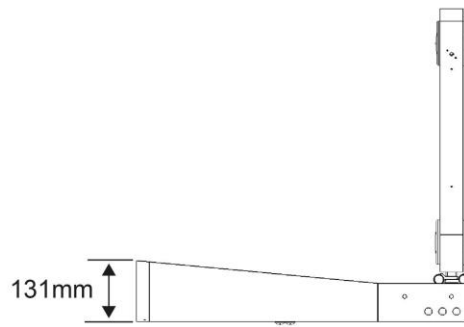
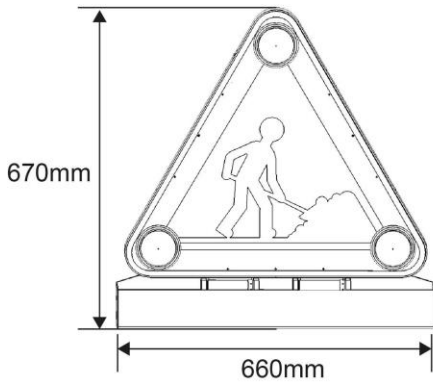
TRIANGLE 500



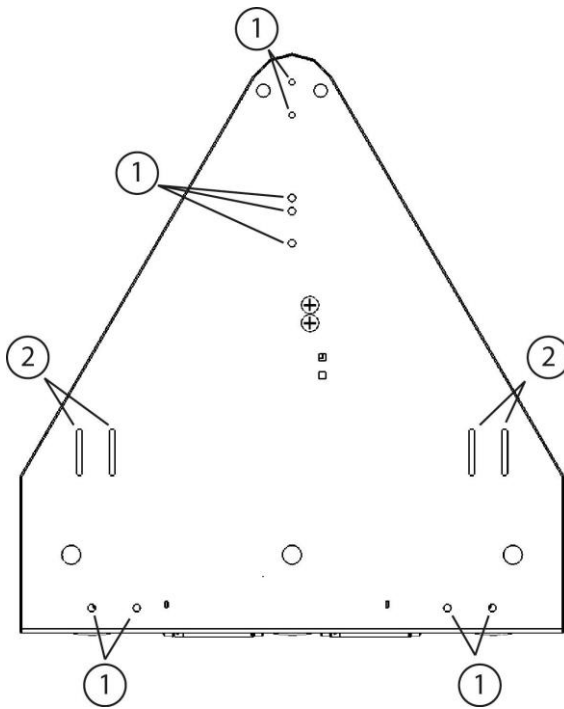
TRIANGLE 500 ELECTRICAL LIFTING: Weight 7 kg Bottom



TRIANGLE 700



TRIANGLE 700 WITH ELECTRICAL LIFTING: Weight 12.3 kg Bottom



Triangle bottom view

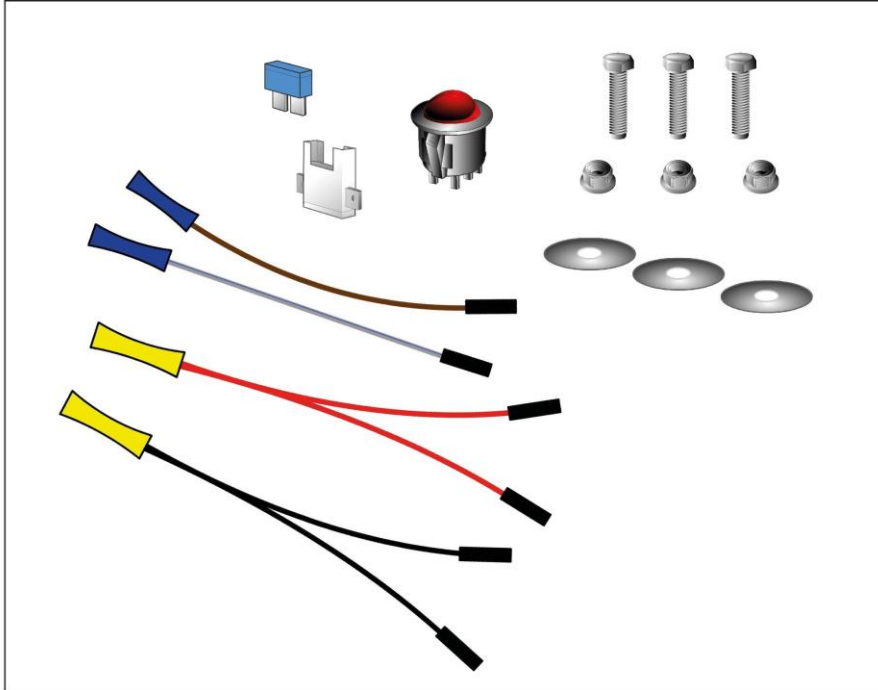
Fixing points

The base of the triangle 500 has numerous fixing points to facilitate its installation.

- 1. Fixing holes Ø 8mm
- 2. Grooves

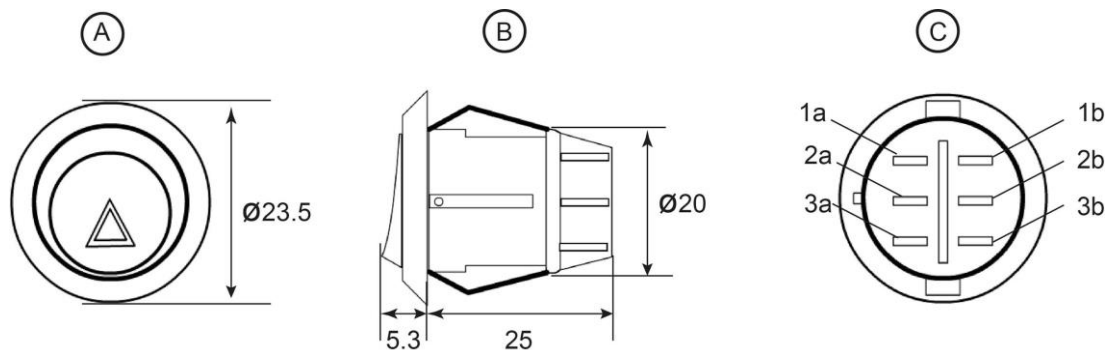
2.4. INSTALLATION KIT

The lifting triangles are supplied with an installation kit bag (Reference 29155) containing fixing screws and electrical connection kit.



- 1x Rocker switch
- 1 x Plug-in fuse holder
- 1 x Plug-in fuse 15A
- 3 x M08x25 H screw (stainless steel A2)
- 3 x Ø8X30X1.5 flat washers (stainless steel)
- 3 x Nut H notched base M8 (stainless steel)
- 1x Bundles kit for triangle button pre-wiring (see diagram wiring)

Mechanical specifications of rocker switch



- A. Front view
- B. Side view
- C. Rear view and identification of the contact terminals

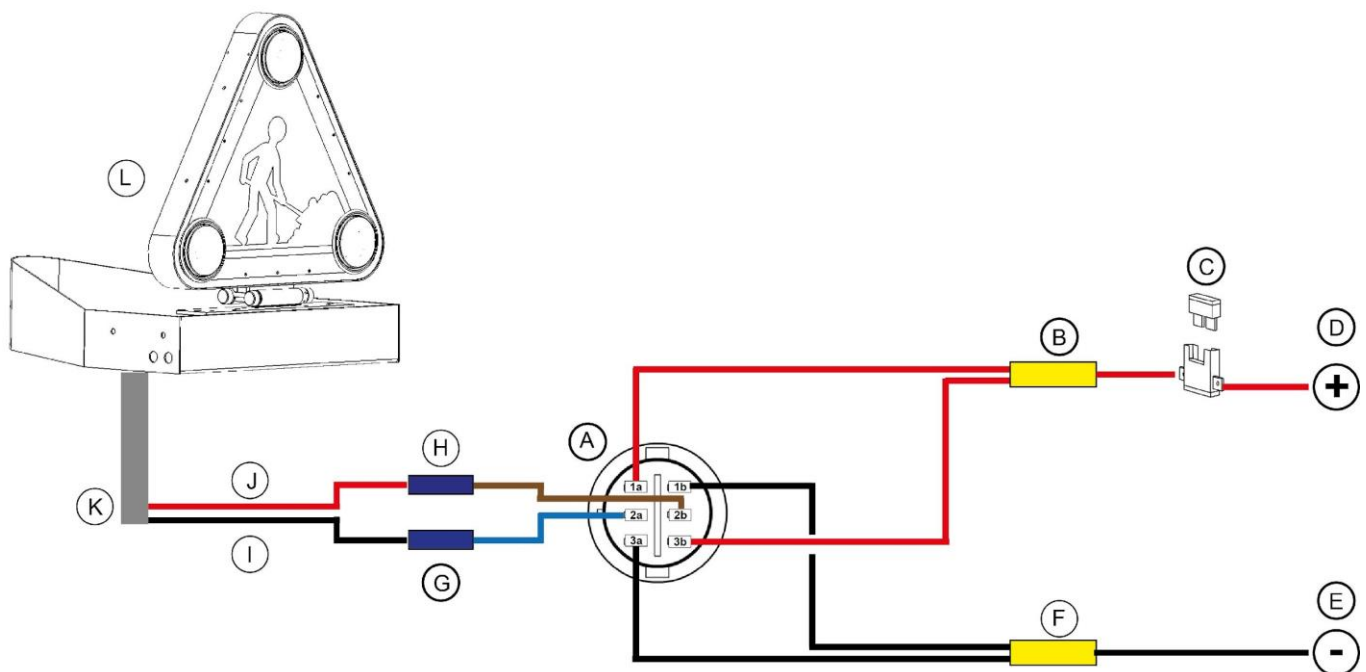
2.5. ELECTRIC LIFT TRIANGLE WIRING

Wire connection kit

Connection wires of the switch have pre-terminals. On one side, there are insulated clip holders of black sheath that should be connected to the switch, on the other side, there are yellow sleeves for the power supply wires and blue ones for the triangle actuator wires.

The blue sleeves and the yellow sleeves must be crimped according to the rules of the art using the appropriate crimping pliers.

General wiring diagram

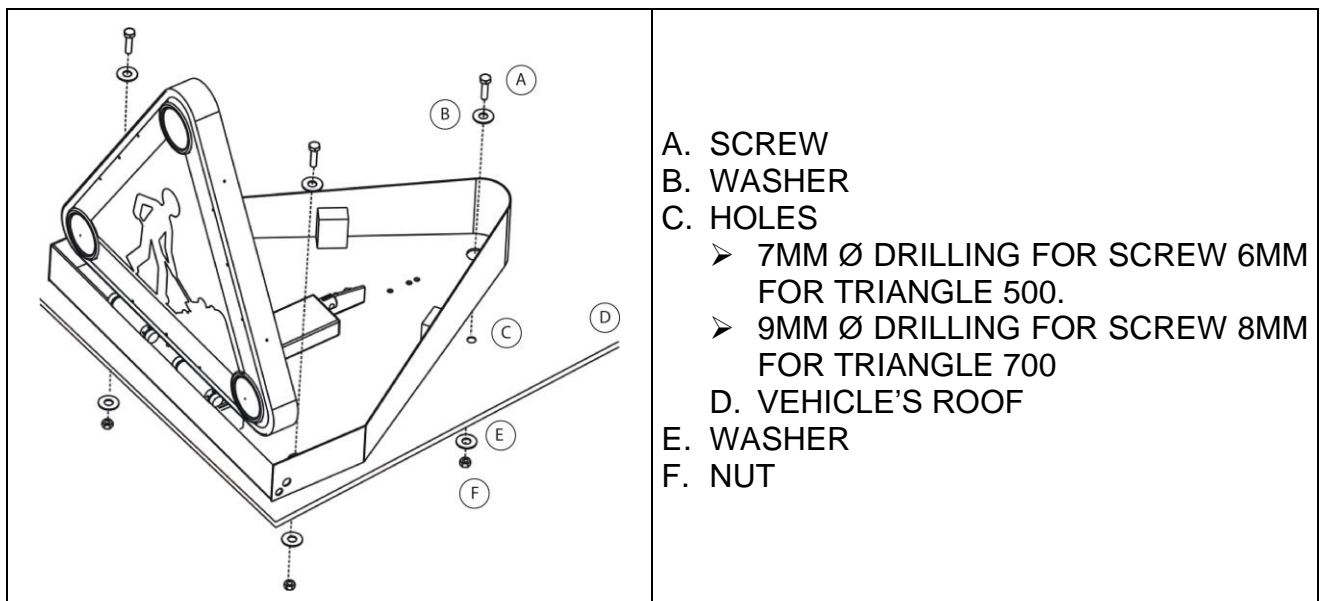
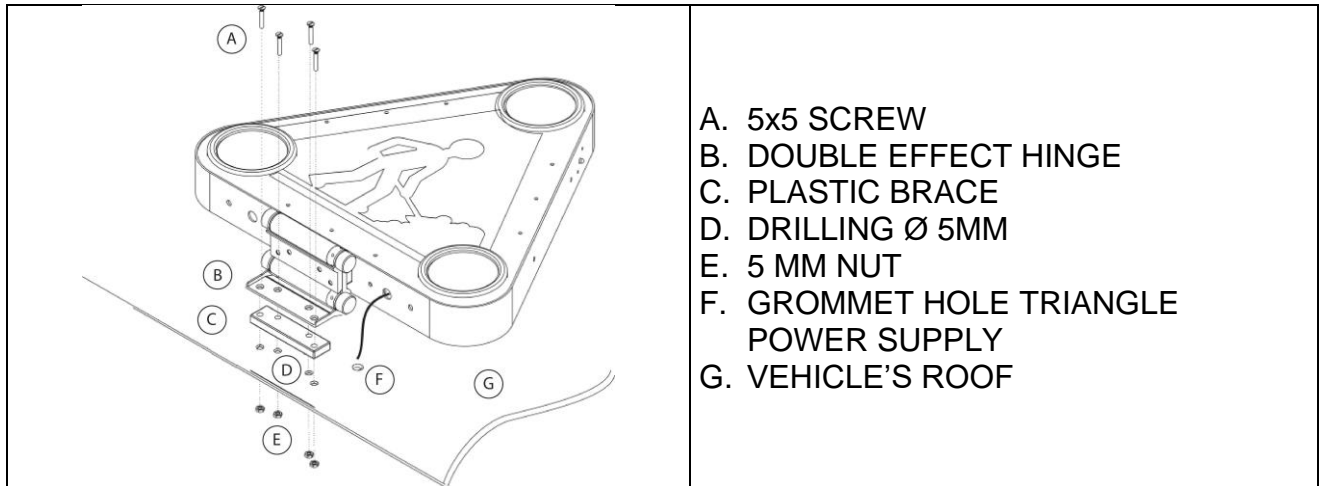


- A. Pin assignment of lift switch - rear view
- B. Double red wire with yellow sleeve
- C. Protection fuse of power supply line
- D. "+" Battery terminal
- E. "-" Battery terminal
- F. Double black wire with yellow sleeve
- G. Blue wire (or white & blue) with blue sleeve
- H. Brown wire with blue sleeve
- I. Triangle's harness black wire
- J. Triangle's harness red wire
- K. Triangle's harness
- L. Triangle electric lift

3. MECHANICAL INSTALLATION

Triangle 500 mm: 1 hinge
Triangle 700 mm: 2 hinges

3.1. Roof mounting



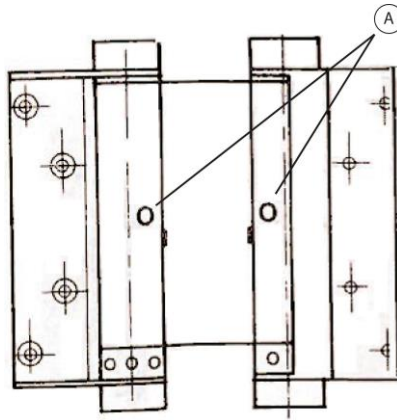
WARNING

THE TRIANGLES MUST BE INSTALLED ACCORDING TO THE RULES OF THE ART BY QUALIFIED PERSONNEL.

IT IS THE INSTALLER'S RESPONSIBILITY TO ENSURE THE SEALING OF THE DRILLINGS USING PRODUCTS SUITABLE FOR THE ROOF AND THE APPROPRIATE CORROSION TREATMENT.

3.2. Hinge tension

Before installing the hinge, it is essential to lubricate it through the holes provided for this purpose.



Unfolded hinge

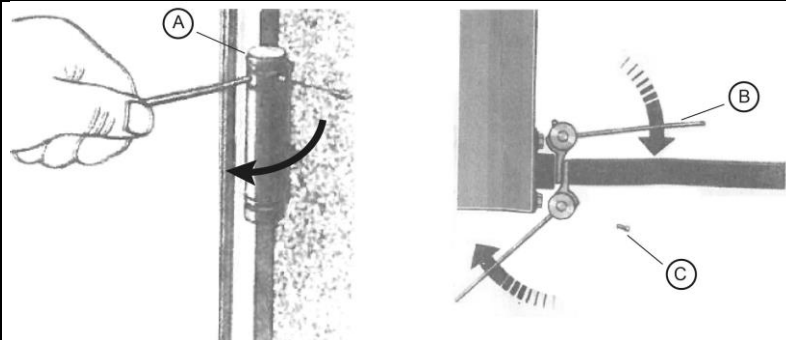
! Gloves and glasses are essential for the hinge tightening operation.

Use the tool provided for **SINGLE USE only** to perform the tightening operation.



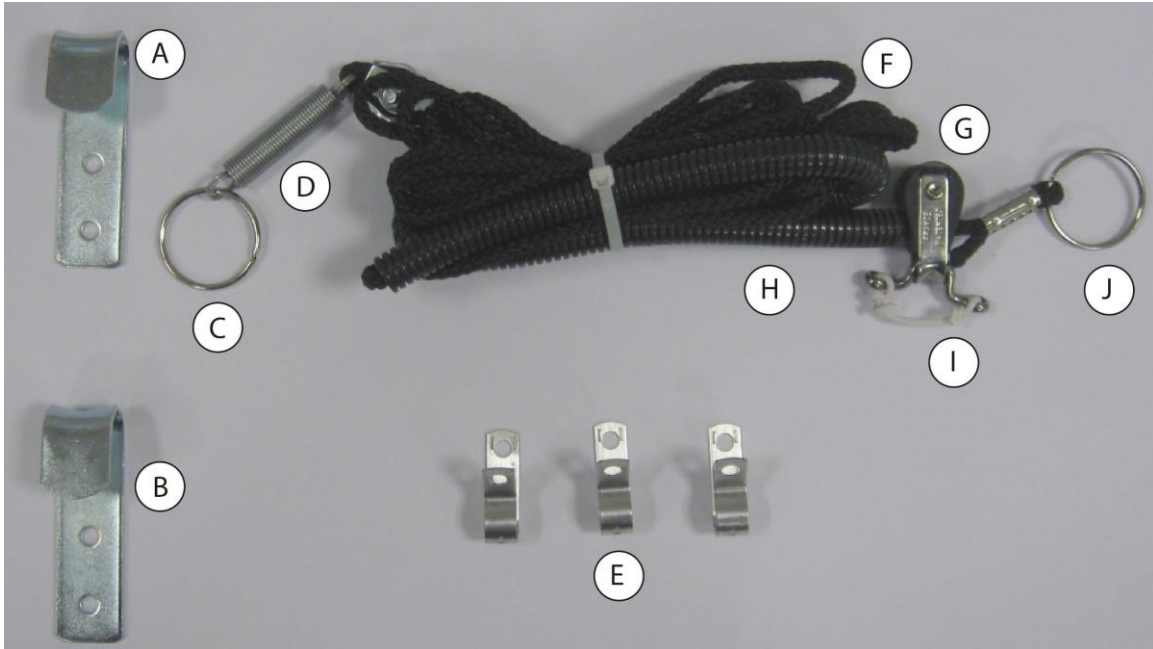
DISPOSABLE clamping tool

- A. RING VOLTAGE
- B. CLAMPING TOOL
- C. PIN STOP



4. MANUAL

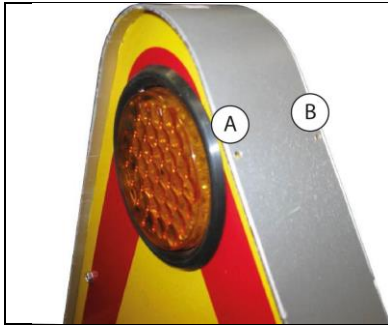
4.1. Kit contents



- A. HOOK HIGH POSITION
- B. HOOK LOW POSITION
- C. HOOK FIXING RING
- D. SPRING
- E. SHEATH FIXING SLEEVE
- F. NYLON CORD 4M
- G. PULLEY
- H. RINGED SHEATH
- I. JUMPER
- J. TRIANGLE FIXING RING

All fasteners, bridges and hooks can be installed by screws adapted to the support (not supplied) or by rivets (not supplied).

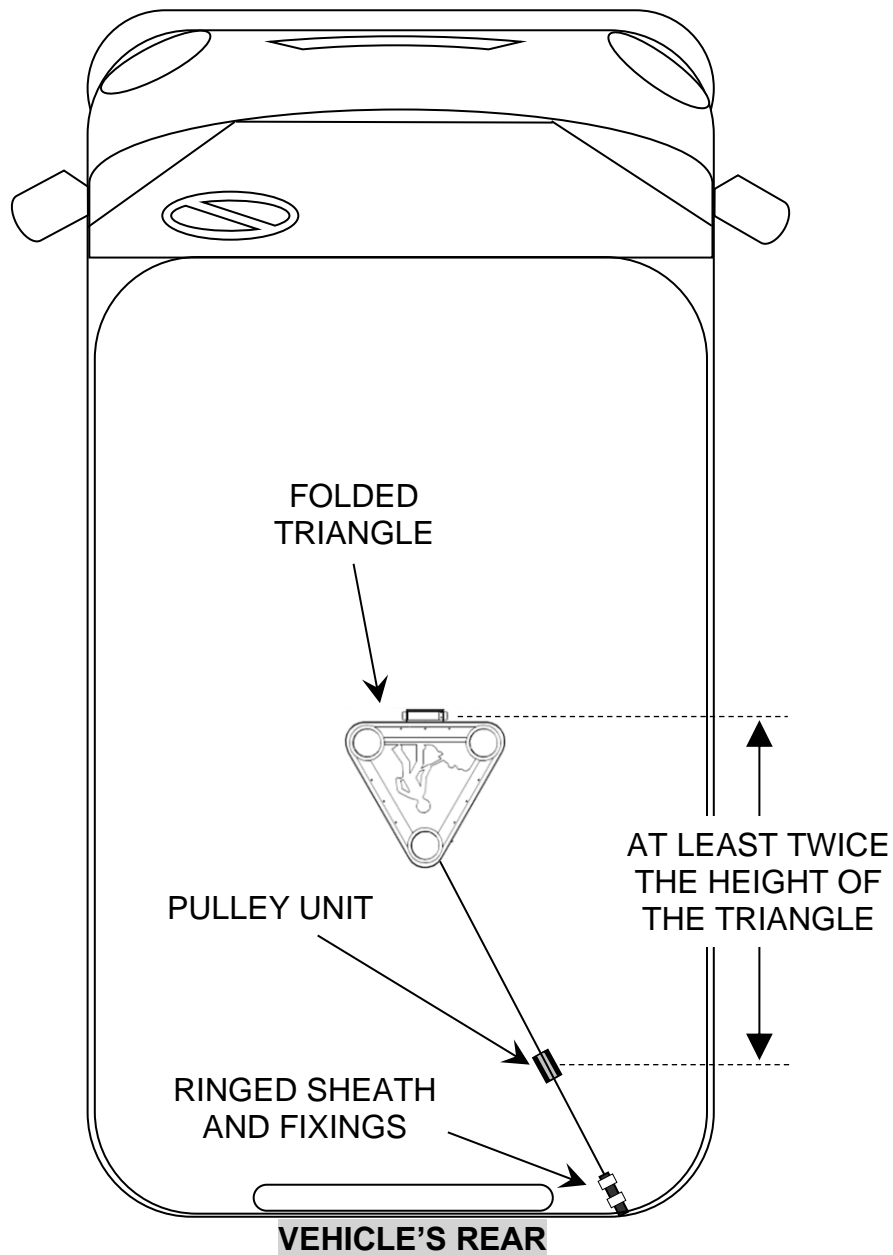
4.2. TRIANGLE'S FIXING



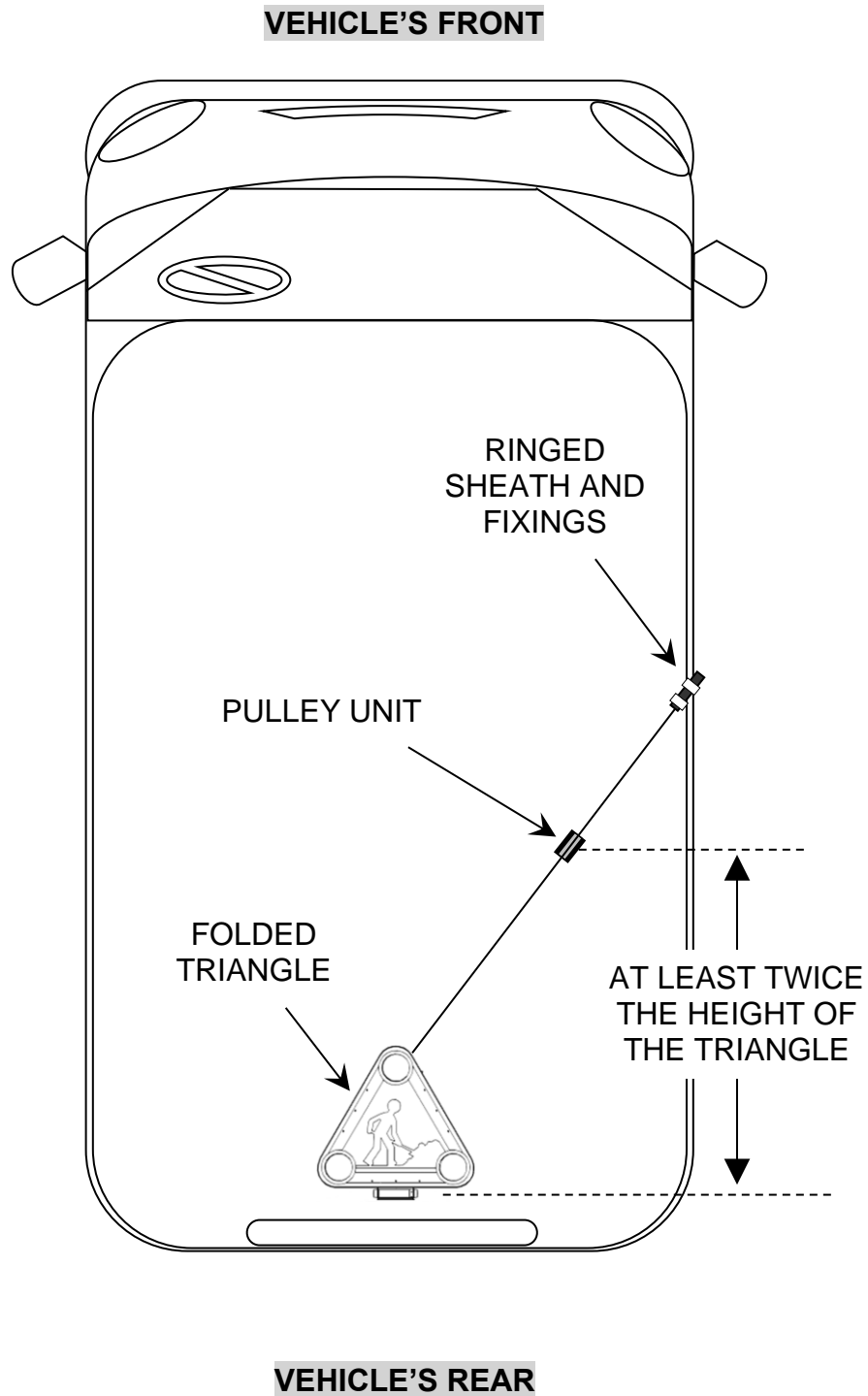
- A. TRIANGLE'S FIXING RING HOLES TOWARDS REAR
- B. TRIANGLE'S FIXING RING HOLES TOWARDS FRONT

4.3. VIEW FROM ABOVE TRIANGLE TOWARDS REAR

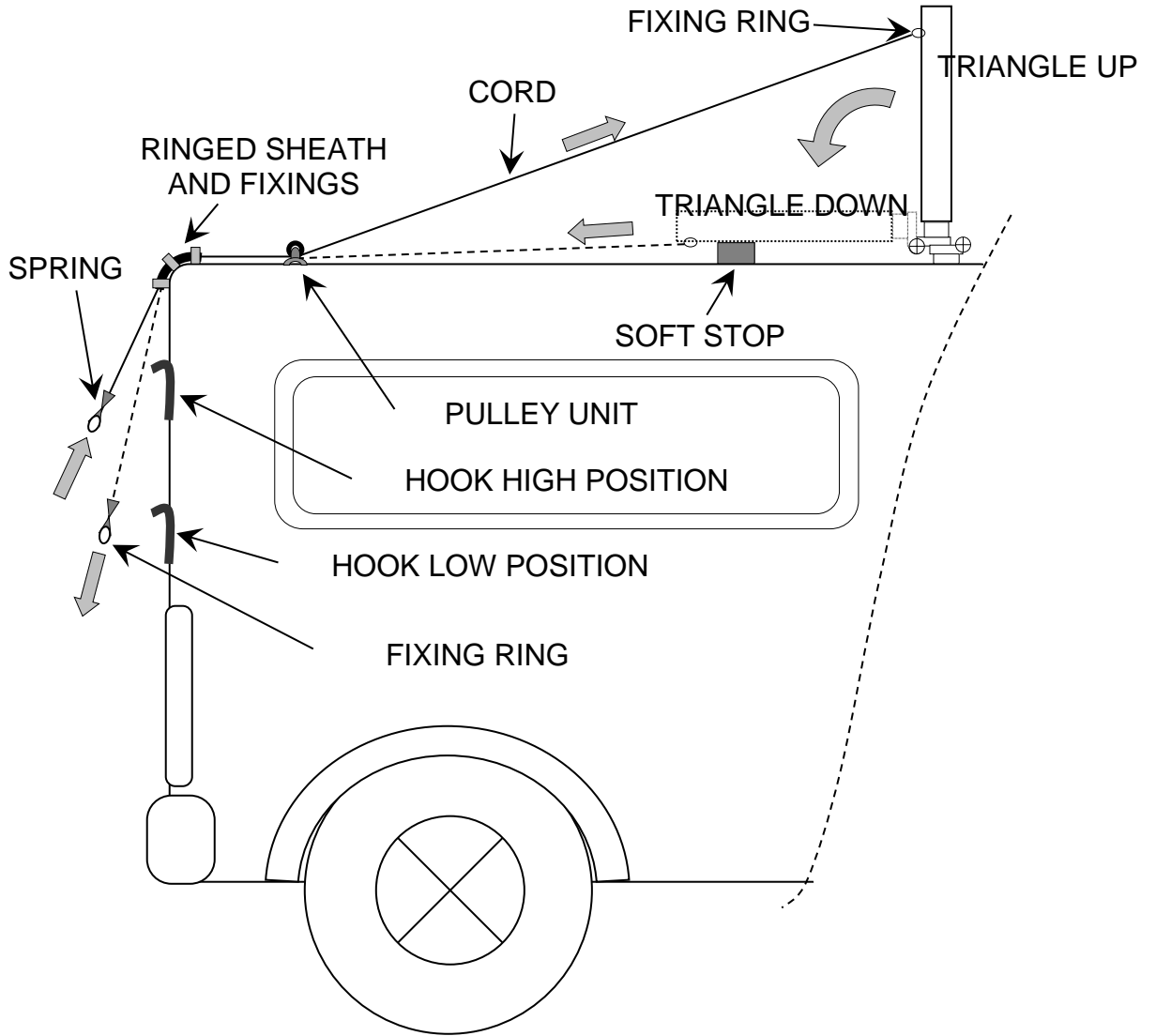
VEHICLE'S FRONT



4.4. VIEW FROM ABOVE TRIANGLE TOWARDS FRONT



SIDE VIEW VUE TOWARDS REAR



INSTALLATION ON VEHICLE'S SINGLE CABIN

- Control fixed in lateral position of the vehicle

