



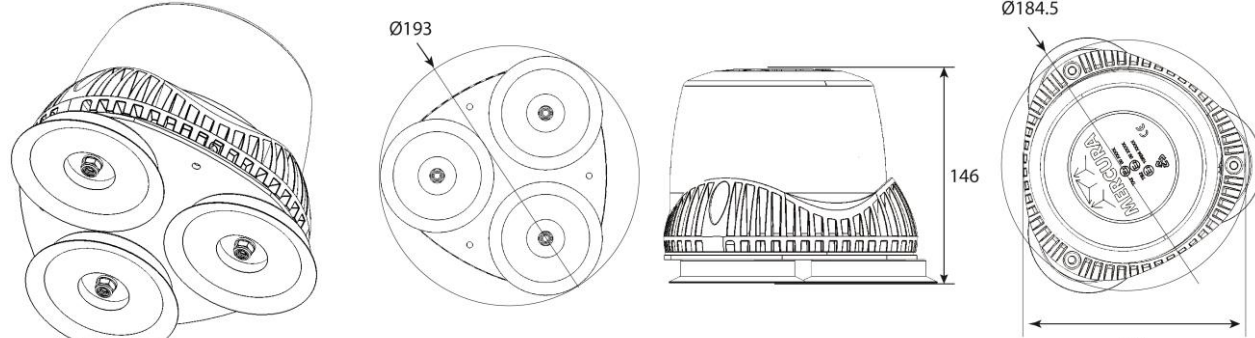
MERCURA's GYROLED® M130 with magnetic mounting is a high power CLASS 2 LED beacon. The light is supplied with 13 integrated flash patterns.

Power is supplied with a cigar lighter plug (CLP). There are 2 CLP types according to 2 GYROLED® M130 modes :

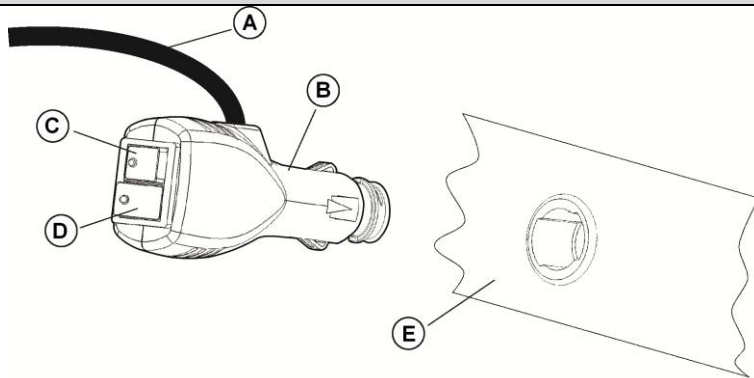
- R65 models
- « to program » models

The GYROLED® M130 with magnetic mounting is available in the following colours:

- Blue
- Amber
- Red
- Green
- White

	
Power supply : 10 – 30 Volts	Weight : 2,3 Kg
Low voltage cut off value : 8 volts	Power : 22W max.
Operating temperature : -40°C to +85°C	
R65 marking only for the R65 models	<ul style="list-style-type: none"> • Blue Flash : TB2 E2 0016105 • Blue Rotating : TB2 E2 016106 • Amber Flash : TA2 E2 0016107 • Amber Rotating : TA2 E2 0016108 • Red Flash : TR2 E2 0016220 • Red Rotating : TR2 E2 0016221
<ul style="list-style-type: none"> • "E" Marking Approval R10 n° « E2 10R05 16034 » • CISPR25 (2008) : class 4 or 5 radiating 	

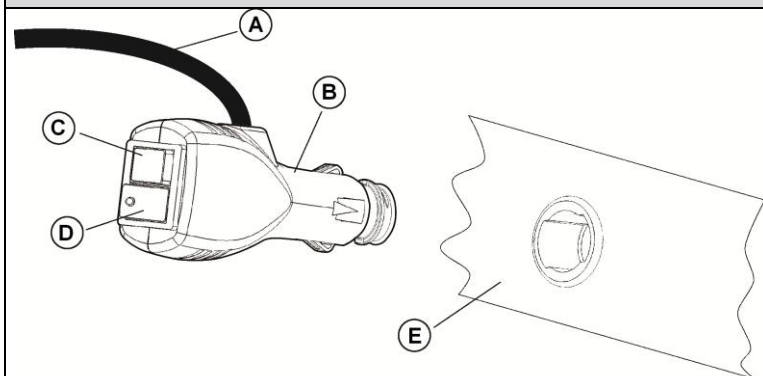
R65 MODELS



- A. Cigar Lighter spiral cable
- B. Cigar Lighter Plug
- C. Switch with blue LED : Night function GYROLED® (light dims)
- D. Switch with red LED : GYROLED® ON /OFF button
- E. Vehicle Cigar Lighter Plug

- GYROLED® M130 BLUE Rotating R65 : 29773
- GYROLED® M130 BLUE Flash R65 : 29774
- GYROLED® M130 AMBER Rotating R65 : 29775
- GYROLED® M130 AMBER Flash R65 : 29776

PROGRAMMABLE MODELS



13 flash patterns

1. Rotating R65
2. Double Flash R65
3. Triple Flash
4. Single Flash
5. ½ Rotating
6. ½ Double Flash
7. ½ Triple Flash
8. ½ Single Flash
9. ICAO Flash
10. ICAO Rotating
11. ½ ICAO Flash
12. ½ ICAO Rotating
13. Top central LED on only

- A. Cigar Lighter spiral cable
- B. Cigar Lighter Plug
- C. Button : Flash pattern selection
- D. Switch with red LED : GYROLED® ON /OFF button
- E. Vehicle Cigar Lighter Plug

The GYROLED® M130 is R65 approved in Blue, Amber and Red colours only.

GYROLED® M130 BLUE : 29619
 GYROLED® M130 AMBER : 29620
 GYROLED® M130 WHITE : 29621
 GYROLED® M130 RED : 29622
 GYROLED® M130 GREEN : 29623



The Gyroled M130 installation on the vehicle should be done in compliance with the specific current regulations regarding emergency and service vehicles special lighting. The beacon flash pattern choice must also meet these requirements. The installer is therefore fully responsible for the product installation and flash pattern chosen.



Do not handle the GYROLED® M130 immediately after use, to avoid burning the hands, as the aluminum base may still be hot.



Do not stare directly at the GYROLED during operation, so as to avoid eye damage.



The Gyroled® M130 position on a roof vehicle must be chosen with regard to the roof panel and its power supply. The M130 Gyroled® must be mounted so as to be seen at 50 meters in all directions on the horizontal plane.



BE CAREFUL WITH THE MAGNETS RUBBER MEMBRANES

Any alteration to the adherence of the rubber greatly reduces the Gyroled® fixing properties. This may cause the Gyroled® to come off or tear during use.



Before putting the Gyroled® M130 on the vehicle roof, ensure the good condition of the surface on which the magnetic pads will be based. This surface must be flat and clean to ensure optimum contact between the pads and the roof panel. Clean the roof panel if necessary. It must also be conducive to magnetic mounting. Polyester and derivative panels are not compatible.



WARNING

NEVER EXCEED THE SPEED OF 130 KM/H WITH A MAGNETIC GYROLED M130
MOUNTED ON THE ROOF OF THE VEHICLE

BEYOND THIS LIMIT, AERODYNAMIC PRESSURE MAY SUDDENLY REMOVE
THE GYROLED® M130 FROM THE ROOF PANEL.