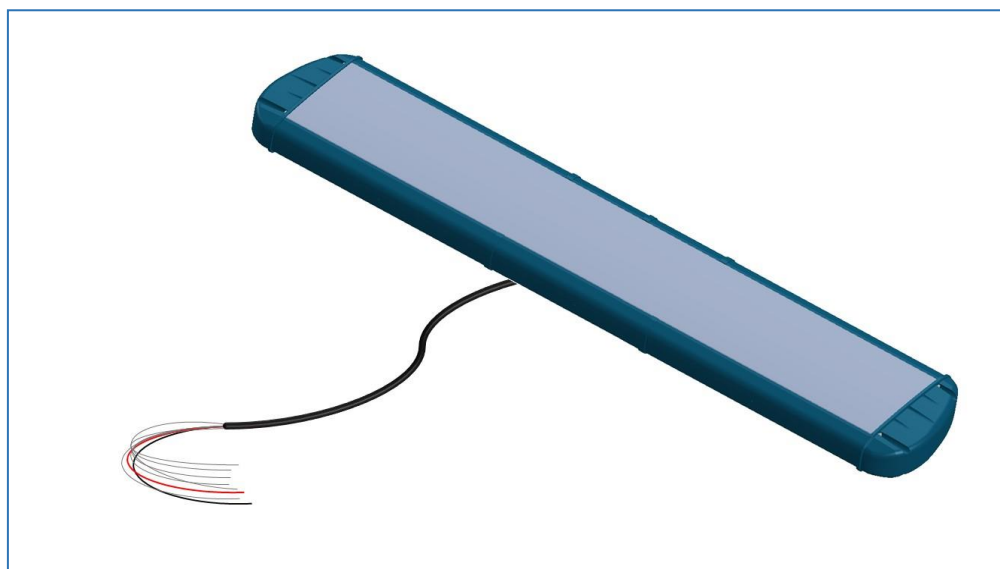

TECHNICAL GUIDE

VEGA LIGHTBARS CLASS 2 WITH DUAL COLOUR

WITHOUT ROOF CONNECTOR



1. WARNING.....	3
2. AVAILABLE VERSIONS.....	4
3. DIMENSIONS.....	4
4. ELECTRICAL CHARACTERISTICS	5
5. SPECIFIC FUNCTIONS.....	5
6. MOUNTING RECOMMENDATIONS.....	6
7. MOUNTING	6
8. WIRING DIAGRAM	9



Head Office: Zone d'Activités « Les Gailletrous » - rue Louis Pasteur-
41260 LA CHAUSSEE SAINT VICTOR
Tel: 02 54 57 52 52 – Fax: 02 54 56 80 00
SAS with capital 102. 400 € - APE (NAF) 2790 Z – SIRET 310 999 891 00040

1. WARNING



LIMITS OF LIABILITY

The products have been developed in accordance with standards and regulations in force. The information gathered in the technical documentation takes into account the state of the art as well as the knowledge and experience acquired over many years.

MERCURA is not responsible for damages and consequences due to:

- Non-compliance with the information provided by the product documentation
- Non-compliant use of the product
- The mounting and application of products made by unskilled personnel
- Unauthorized changes made by the user or the operator on their own
- Technical modifications not submitted to or approved by MERCURA
- Use of spare parts not approved by MERCURA

RESPONSIBILITIES OF THE INSTALLER

The installer is fully responsible for the mounting of equipment on a vehicle.

The installer must define the means and the material necessary for mounting of equipment in order to deliver the vehicle equipped according to the regulations.

MERCURA is not responsible for failures occurring due to incorrect definition of the type of mounting system, reinforcements, drilling holes in roof panel, state and quality of mounting system, use of vehicle manufacturer anchoring points and the system power supply and protection definition in accordance with the vehicle energy source.

RESPONSIBILITIES OF THE USER AND OF THE OPERATOR

MERCURA products are professional equipment that must be used for this purpose only. Their implementation is subject to legal obligations in terms of safety at work to which the operator must submit. The same applies to safety and accident prevention regulations as well as environmental protection rules. The use of this equipment on the road is subject to compliance with traffic laws and regulations.

Obligations of the operator:

- To keep informed about the regulations in force concerning the safety at work
- To conduct a risk analysis of specific work conditions at the site of intervention
- To adapt user training to regulations, standards and conditions of use
- When using the equipment to regularly check the adequacy of the rules of implementation with the safety rules and standards in force.
- To ensure that operators have read and understood the equipment user manual.
- To ensure that users are regularly trained in the use and informed of the hazards associated with the implementation of the equipment.
- To provide personnel with protective equipment adapted to the intervention and to ensure their use.

It is the responsibility of the operator:

- To ensure the curative and preventive maintenance of equipment
- To ensure that safety devices are regularly checked

CUSTOMER SERVICE

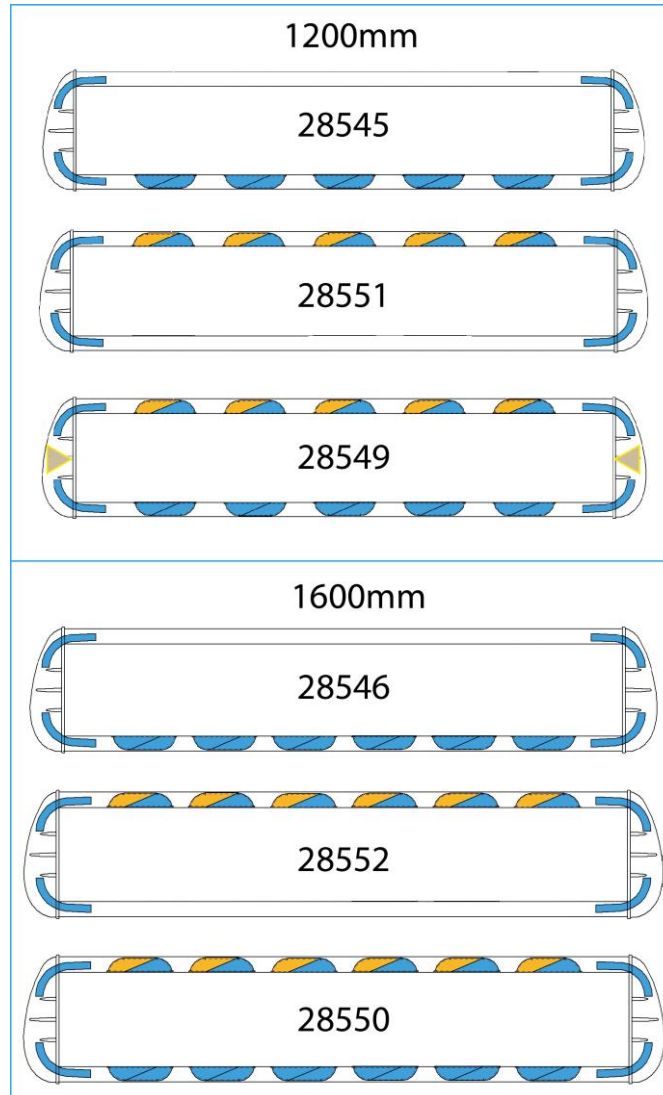
For any technical information, the MERCURA CUSTOMER SERVICE is at your disposal:

- Website: <http://www.mercura.fr/> technical assistance section
- E-mail: support@mercura.fr
- Phone number: +33 (0)2.54.702.702

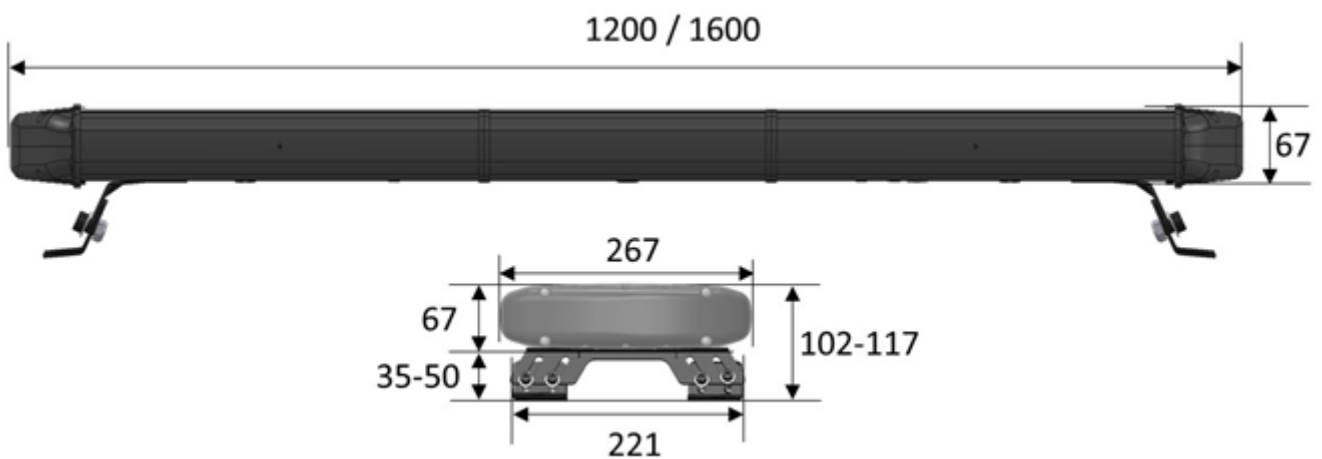
Our service is available from Monday to Friday from 08.30 am to 12 and from 1.30 pm to 5 pm (Friday until 4 pm).

In the spirit of continuous improvement, our staff is at your disposal for any question you might have concerning the installation and the use of our products.

2. AVAILABLE VERSIONS



3. DIMENSIONS



Weight for a full option lightbar 1600 mm reference 28550:

- 15.6 kg with mountings
- 13.7 kg without mountings

Mountings' weight: 1.9 kg

4. ELECTRICAL CHARACTERISTICS

Data for a full option lightbar 1600 mm reference 28550:

Operating Voltage: 10-30 volts

CONSUMPTION:

□ BLUE LIGHTS

Flash Mode

- 7.2A peak at 13.5 volts / 4.1A peak at 27 volts
- 4.2A average at 13.5 volts / 2.6A average at 27 volts

Cruise Mode

- 7A peak at 13.5 volts / 4.4A peak at 27 volts
- 4.5A average at 13.5 volts / 3.4A average at 27 volts

□ AMBER WARNING LIGHTS

Flash Mode

- 2.8A peak at 13.5 volts / 1.5A peak at 27 volts
- 1.4A average at 13.5 volts / 0.8A average at 27 volts

Left Scrolling Mode

- 0.5A peak at 13.5 volts / 0.3A peak at 27 volts
- 0.4A average at 13.5 volts / 0.2A average at 27 volts

Right Scrolling Mode

- 0.5A peak at 13.5 volts / 0.3A peak at 27 volts
- 0.4A average at 13.5 volts / 0.2A average at 27 volts

Interior-Exterior Scrolling Mode

- 1A peak at 13.5 volts / 0.6A peak at 27 volts
- 0.6A average at 13.5 volts / 0.4A average at 27 volts

5. SPECIFIC FUNCTIONS

Concerning the functioning, it is important to note the following points:

FLASH MODE / CRUISE MODE

Note: The « Cruise » mode enables the activation of the lightbar modules in steady burn at a lower brightness (pilot light).

To activate the « Cruise » mode, the « Flash » mode must be deactivated beforehand.

When the lightbar is in « Cruise » mode, it is not necessary to deactivate the « Cruise » mode to change to « Flash » mode. However, when the lightbar is in « Flash » mode, its deactivation will automatically change the mode to « Cruise ».

FLASH MODE

The Flash mode activates all the lights of the lightbar.

REAR AMBER WARNING LIGHTS SCROLLING

4 « Scrolling » functions are available for lightbars with rear amber warning lights.

1. All modules flash simultaneously (Warning)
2. Left Scrolling
3. Right Scrolling
4. Interior-Exterior Scrolling Mode

Changing from the scrolling mode to the « Flash » mode does not require deactivation of the scrolling beforehand. However, the deactivation of the « Flash » mode will automatically change the mode to the one previously active.

However, it is important to deactivate « Flash » mode before activating another scrolling mode.

If the bar is in one scrolling mode, activating another mode without deactivating the previous one will automatically activate the scrolling bar to the « Flash » mode.

6. MOUNTING RECOMMENDATIONS

Pre-wire the VEGA lightbar before mounting it on the vehicle to ensure that it is correctly wired and functions correctly.



During this pre-wiring procedure make sure to **IDENTIFY** the **FRONT** and the **REAR** of the lightbar to avoid any mistakes in mounting.

For lightbars with amber warning lights, the amber scrolling can be found in the rear of the lightbar (Left Scrolling, Right Scrolling, flashing « warning » lights).

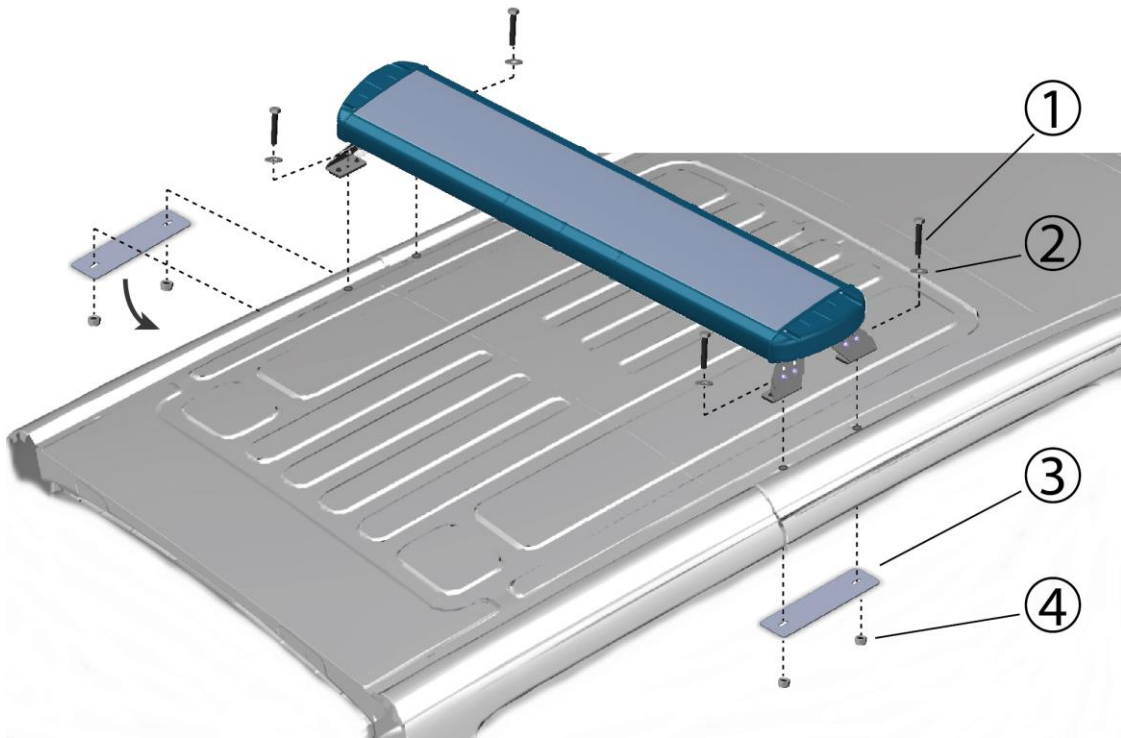
7. MOUNTINGS

The lightbar is provided with a standard mounting system to enable easy installation on the vehicle's roof panel. The mounting kit includes

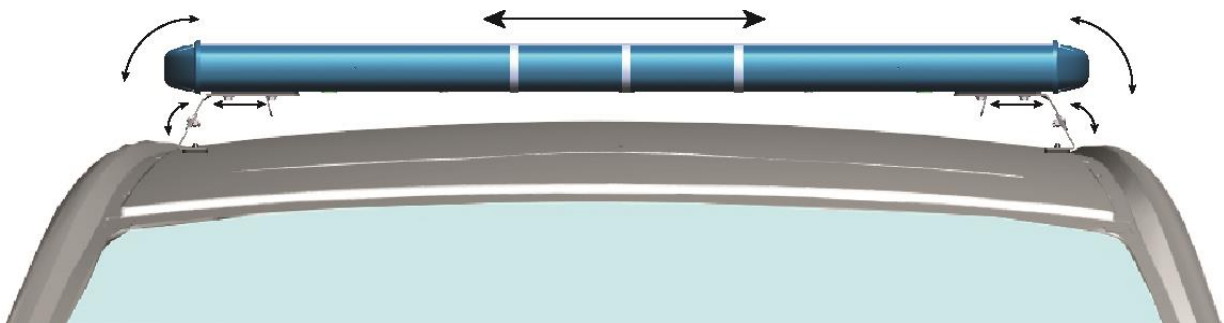
- 4 x M6-30 screws
- 4 x Ø16 Int7 ep11 washers
- 4 x H 6 type locking nuts
- 2 x reinforcement plates



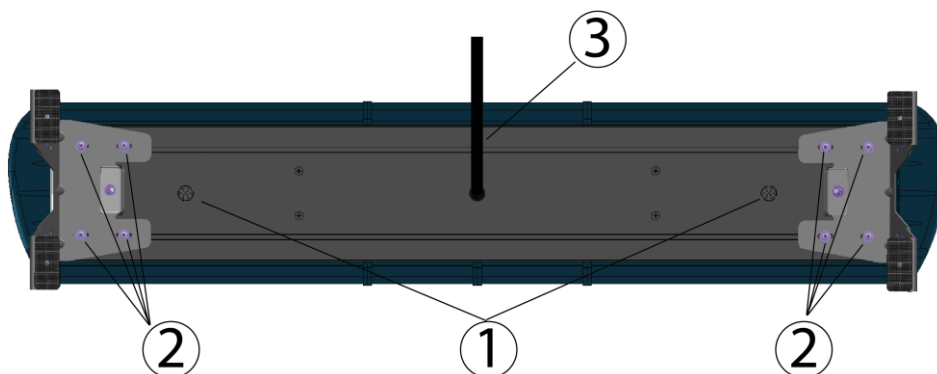
The holes drilled on the roof panel must have an anti-corrosion and a sealant surface treatment, using the appropriate products adapted to the roof panel material (not supplied).



1. M6-30 screw
2. Ø16 Int7 ep11 washers
3. Reinforcement plate
4. H 6 type locking nut

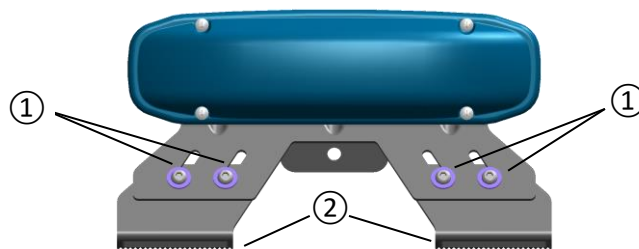
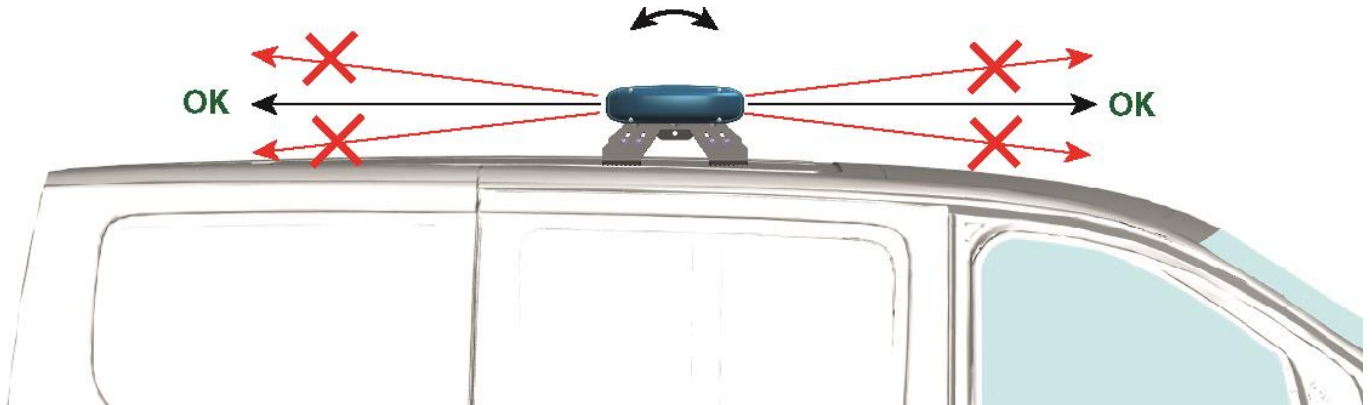


VEGA lightbar – view from below



1. Air vents: Never plug or cover
2. Lightbar mount fixing screws
3. Lightbar wiring loom

The fixing screws enable levelling of the lightbar on the vehicle's roof.



1. Mounting base fixing screws
2. Rubber base protection

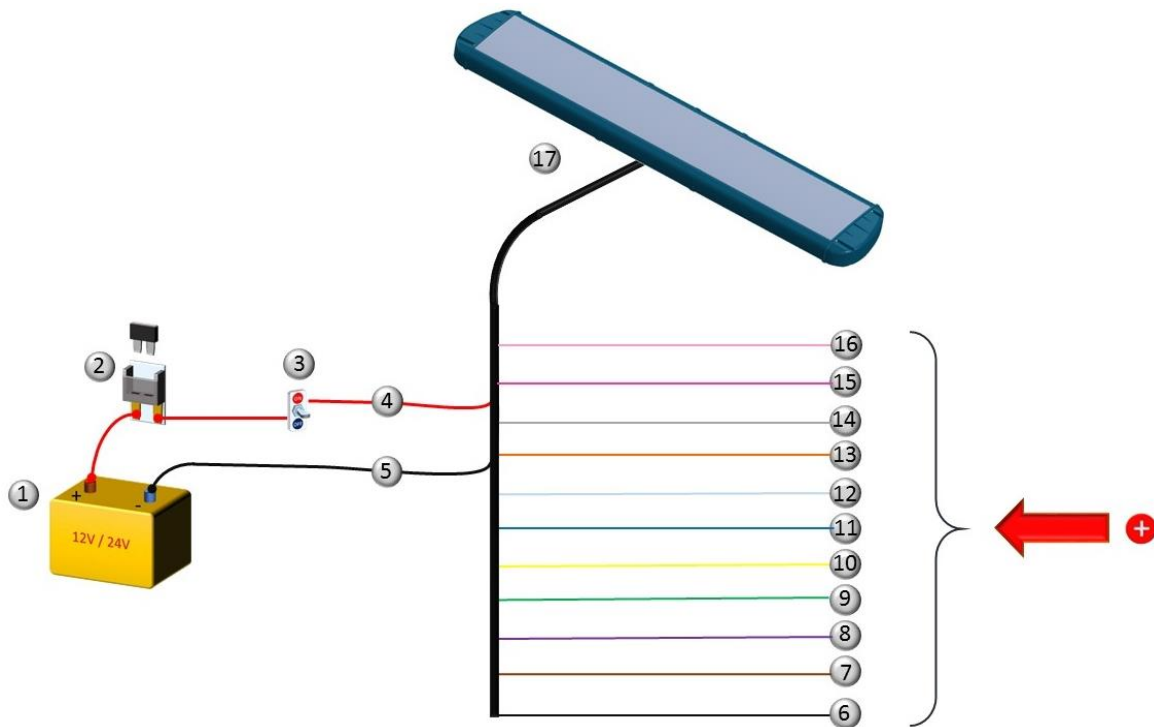
The fixing screws enable the adjustment angle of the lightbar position.

Tighten the fixing screws on the base of the lightbar with 3Nm torque

8. WIRING DIAGRAM

Each function is powered via the « + Battery » to the associated wire colour.

The lightbar power supply and the functions are activated by the « + » Battery command via switches or a MERCURA CCS CAN electronic system. They are not supplied – so are proposed as an option.



1. Battery
2. Fuse (Not supplied) to calibrate according to the model of the lightbar.
3. General power control switch of the lightbar (Not supplied)
4. Red wire 2,5mm²: Power supply wire of the lightbar.
5. Black wire 2,5mm²: Ground wire of the lightbar.
6. Black wire 0,5mm²: Not used (to be isolated)
7. Brown wire 0,5mm²: **Flash Mode** R65 of the blue lights of the lightbar.
8. Violet wire 0,5mm²: **Right Scrolling** of the rear amber warning lights.
9. Green wire 0,5mm²: **Right Scrolling** of the rear amber warning lights.
10. Yellow wire 0,5mm²: **Warning Mode** of the rear amber warning lights.
11. Blue wire 0,5mm²: **Interior-Exterior Scrolling** of the rear amber warning lights.
12. White wire 0,5mm²: **Alley lights** (left & right if included in the option)
13. Orange wire 0,5mm²: **Cruise Mode** (Pilot light) of the lightbar lights.
14. Grey wire 0,5mm² : **Night Mode** (Light attenuation)
15. Dark pink wire 0,5mm²: Not used (to be isolated)
16. Bright pink wire 0,5mm²: Not used (to be isolated)
17. VEGA lightbar



The following wiring diagram shows all the available wires for a full option lightbar. Some wires are unused on some versions. It is therefore important to isolate them.