



Communication concerning approval of a type of special warning lamp for power driven vehicles and their trailers, pursuant to Regulation No. 65

Approval No 00011

1. Special warning lamp/ ~~rotating/ stationary flashing lamp/~~ directional flashing lamp/
~~complete bar/~~ blue/ amber
2. Special warning lamp has one/~~two~~ level(s) of intensity (class 1)

Special warning lamp consists of 1 separate unit(s)
3. For special warning lamp having two levels of intensity, indicate the system used to obtain increased intensity at daytime: Not applicable
4. Used light source;
-category filament lamp -
-gas discharge light source -
-LED yes/~~no~~ (with integrated control unit)

Light source module: yes/no
Light source module specific identification code: -
5. Rated voltage of special warning lamp: +12 VDC
6. Trade name or mark: LED lykta blå BL76W
7. Manufacture's name and address: Standby AB
Nohabgatan 12 C
SE-461 53 TROLLHÄTTAN
Sweden
8. If applicable, name and address of the manufacturer's representative: -
9. Submitted for approval on: 2007-11-28



Vägverket

Swedish Road
Administration

Beteckning (Reference)

2007-12-11

FO 70 A 2007:26249
E5 00011

10. Technical service responsible for approval tests: Sveriges Tekniska Forskningsinstitut (Technical Research Institute of Sweden)
Box 857
S-501 15 BORÅS
Sweden
11. Date of report issued by that service: 2007-11-26
12. Number of report issued by that service: MTKP705436-2
13. Approval: Granted
15. Place: Borlänge
16. Date: 2007-12-11
17. Signature: Swedish Road Administration




Ingela Sundin

18. The list of documents deposited with the Administrative Service which has granted approval is annexed to this communication and may be obtained on request.

- Technical information, LED lykta blå BL76W dated 2007-11-27, 4 pages
- Test report MTKP705436-2, 20 pages



TB – Teknisk beskrivning

Utfärdare Stefan Lööv Produktansvarig	Telefon 0520-49 44 45 Telefon	Produkt LED lykta orange BL76W Ingår i	Artikelnr. 47657XXX	Datum 2007-11-27 Sida 1 (2)
		Dokumentnummer TB47657XXX	Dok.ver. A	Lagringsdata P:\ TB47657XXXXA.DOC

Fabrikat: Standby AB

Typ: LED lykta blå

Typidentifikationsmärkning: 476 5 7XXX

Färg: Blå

Kategori: X

Klass: 1

Spänning: +12 VDC

Ljuskälla: LED, transparent ofärgad lins

Styrenhet: Extern Standby SYIO M51-16

Märkningens typ och placering: Se dokument X476 5 7XXXXA

Tillverkarens namn och adress:

Standby AB
Nohabgatan 12C
461 53 TROLLHÄTTAN

Adress till monteringsanläggning:

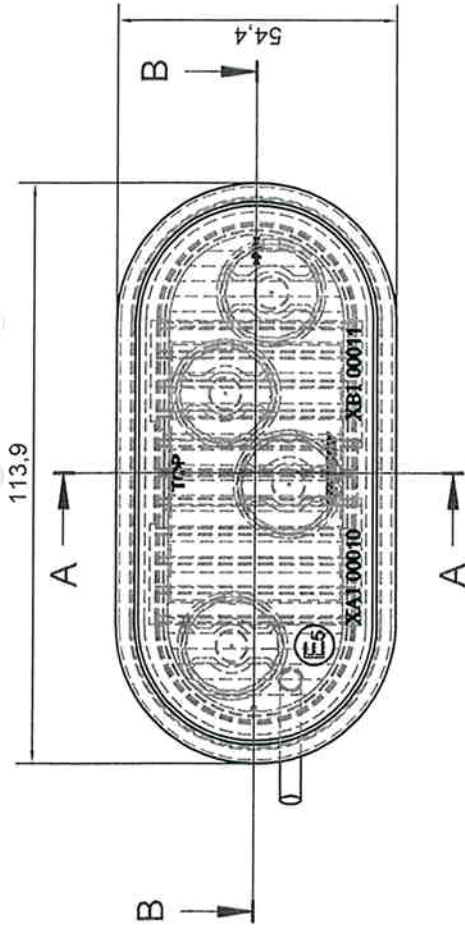
Standby AB
Nohabgatan 12C
461 53 TROLLHÄTTAN

E5 00011 ECE R65

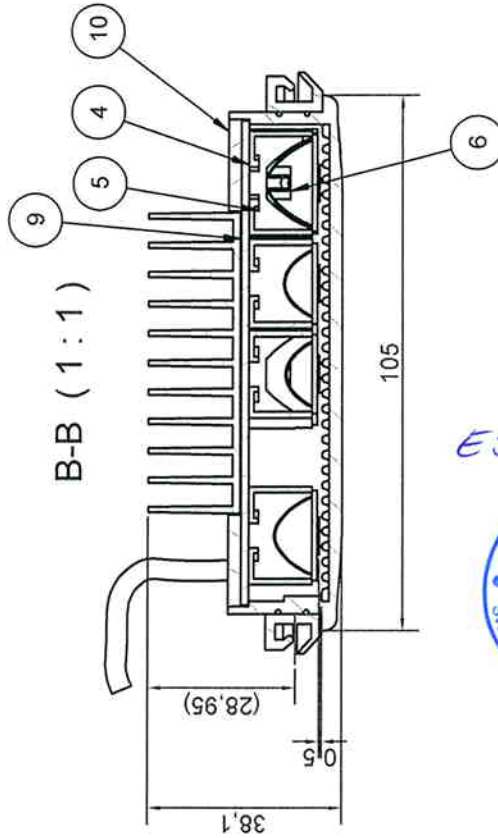
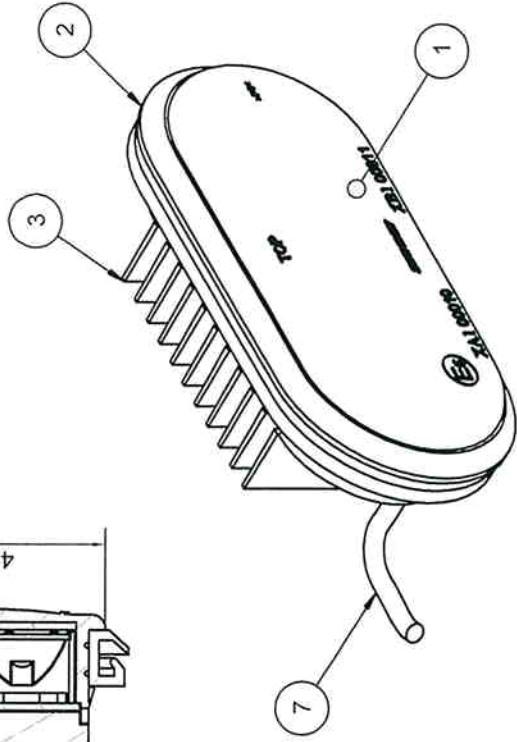
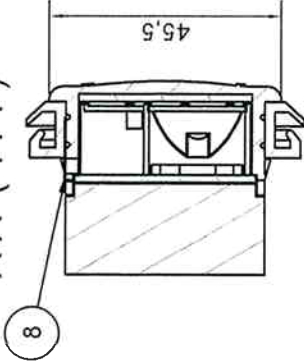
Bilaga:

SP Rapport nummer: MTKP705436





A-A (1:1)



B-B (1:1)

Def-nr	Ant	Benämning	Material	Mod-nr Arnte	Arnte
10	1	UV-lim			
9	1	Tape			
8	1	Goretexmembran			
7	1	Kabel			
6	4	Lins			
5	4	Linsdistans			47620002
4	1	Substrat			47600005
3	1	Kylfläns			47600002
2	1	Packning			47600006
1	1	Lamphus räfflad, VT			



Lampa BL76 W

47657XXX

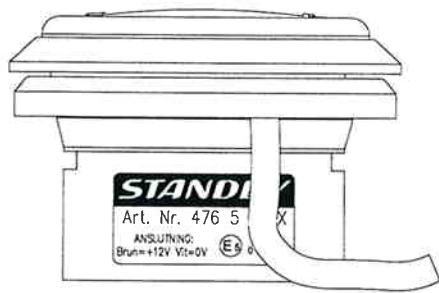
12 V

E5 000 11 ECE R65



Nr	Ant	Anding och/eller medd-nr	Datum	Inf	Godd	Nr	Ant	Anding och/eller medd-nr	Datum	Inf	Godd
01						SL	2007-09-19				

Placering av etikett



X - Märkningsföreskrift

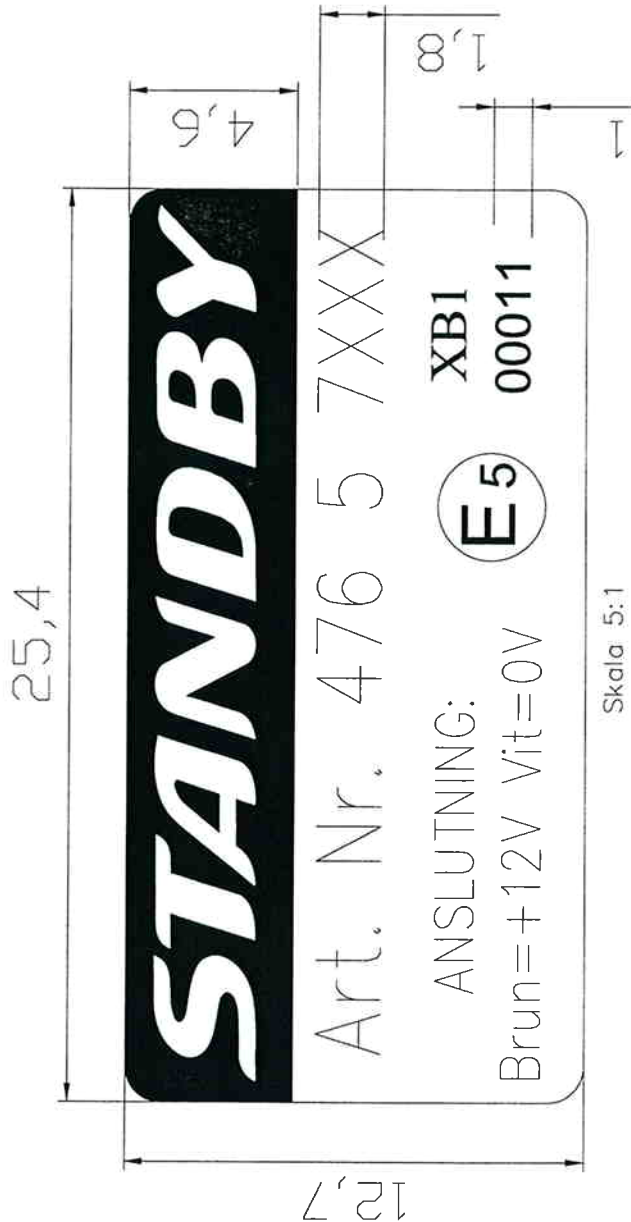
LED lampa sedd från sidan, Skala 1:1



Skala 1:1

SPECIFIKATIONER:

Material: Vit Polyester
Typ: BPT-5-7536-2.5
Dimension: 25,4 x 12,7



E5 00011
ECE R65



Utförare
Stefan Lööv
Produktsvarig

071127

Skala
1:1, 3:1, 5:1

Artikeinummer
47657XXX

Benämning
Lampa BL76W

Dokumentnummer
X47657XXXX

Lagringsdata
P: X47657XXXX.DWG

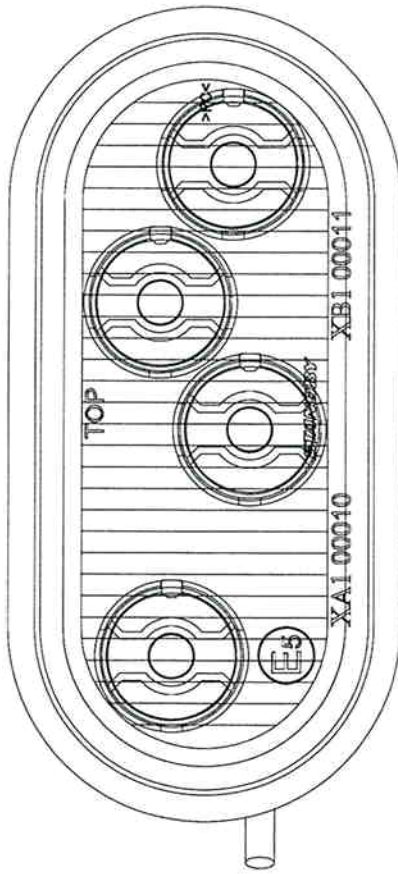
Utgåva
A

Sida
1

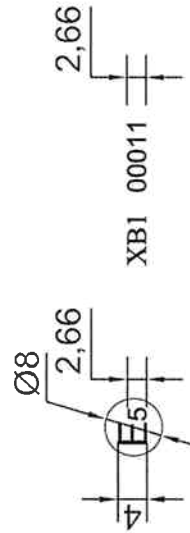
Nästa sida
2

X – Märkningsföreskrift

Märkning av lampa, graverat i hus



LED lampa sedd framifrån, Skala 1:1



E5 00011
ECE R65



Utförare
Stefan Lööv
Produktsvarig

Datum:
071127

Telefon
0520-49 44 45
Telefon
—

Skala
1:1, 3:1, 5:1

Benämning
Lampa BL76W

Artikelnr
47657XXX

Dokumentnummer
X47657XXXX

Lagringsdata
P:\X47657XXXX.DWG

Utgåva A Sida 2

Nästa sida
—